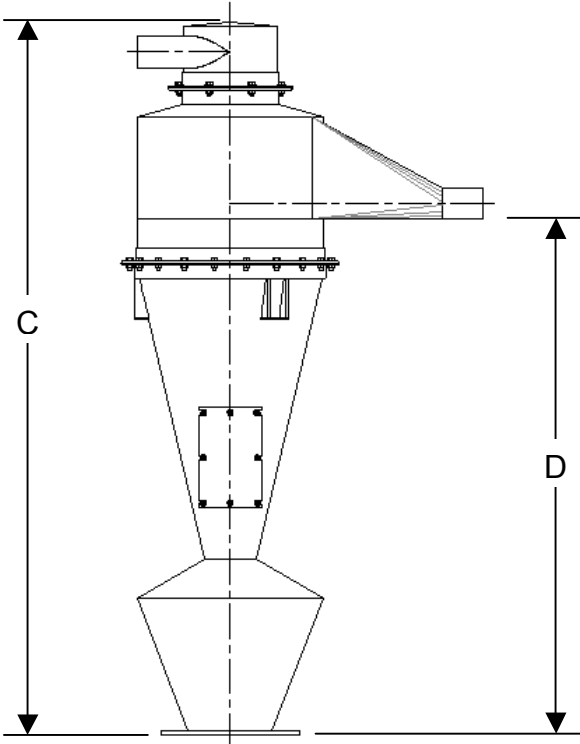
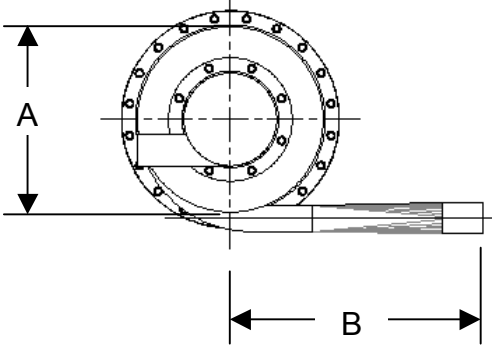


Cyclone Separators



	500 CFM	900 CFM	1500 CFM	2000 CFM	2500 CFM
A	18"	24"	30"	36"	42"
B	24"	28"	34"	37"	39"
C	56"	72"	90"	102"	120"
D	34"	48"	62"	72"	88"

All specifications are approximate and subject to change without notice.



Amtec Engineering, Inc.
 11760 Clay Road
 Houston, TX 77043
www.amtecengineering.com