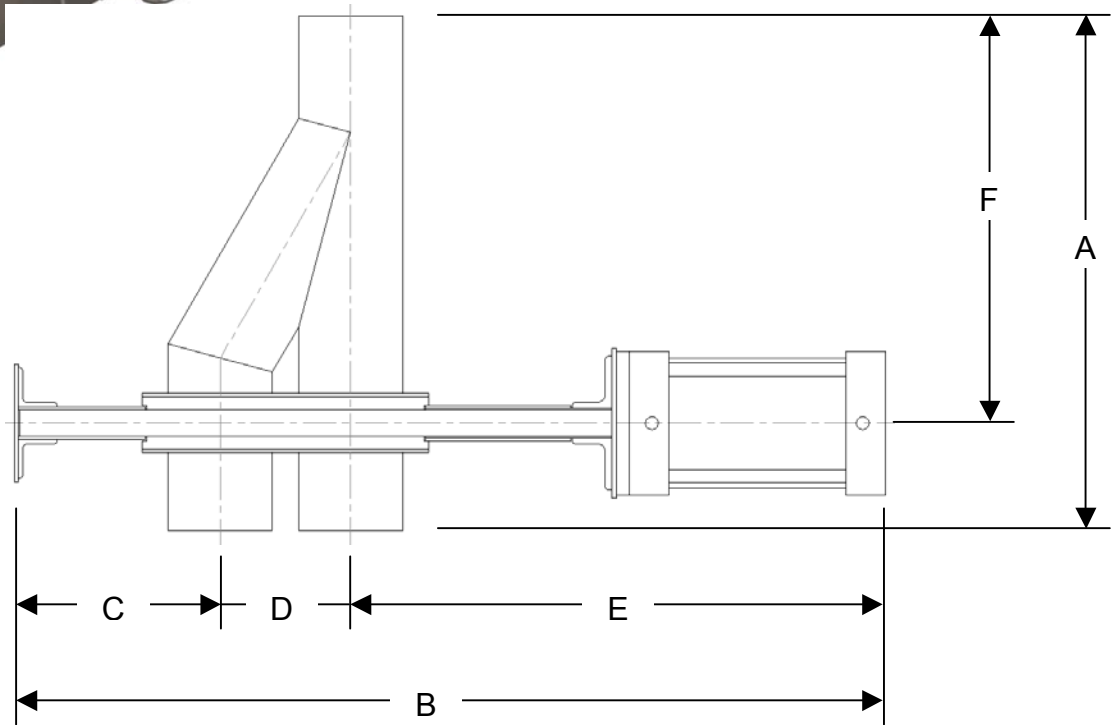
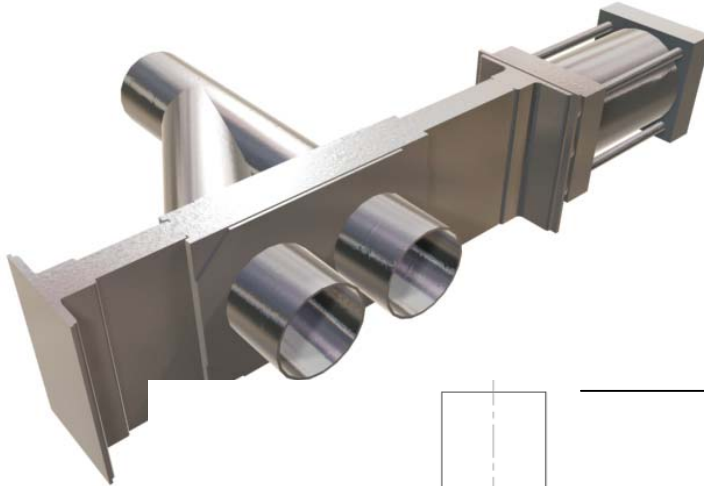


# Diverter Valves



	A	B	C	D	E	F
2"	13 3/4"	19 7/8"	4 1/2"	2 1/2"	12 7/8"	9 5/8"
3"	15 3/4"	25 1/2"	6"	3 1/2"	16 1/8"	11 5/8"
4"	19 3/4"	33 3/8"	7 7/8"	5"	20 1/2"	15 5/8"
5"	22 3/4"	38 7/8"	9 3/4"	6"	23 1/8"	17 5/8"
6"	25 1/4"	43 3/4"	11 1/4"	7"	25 5/8"	20 1/8"
8"	32 1/4"	60 3/4"	16 5/8"	10"	34 1/8"	23 1/8"
10"	38 1/2"	79 1/8"	21 1/8"	14"	44"	29"
12"	42 3/4"	93 1/4"	25 1/4"	17"	51"	33"

All specifications are approximate and subject to change without notice.



Amtec Engineering, Inc.  
 11760 Clay Road  
 Houston, TX 77043  
[www.amtecengineering.com](http://www.amtecengineering.com)