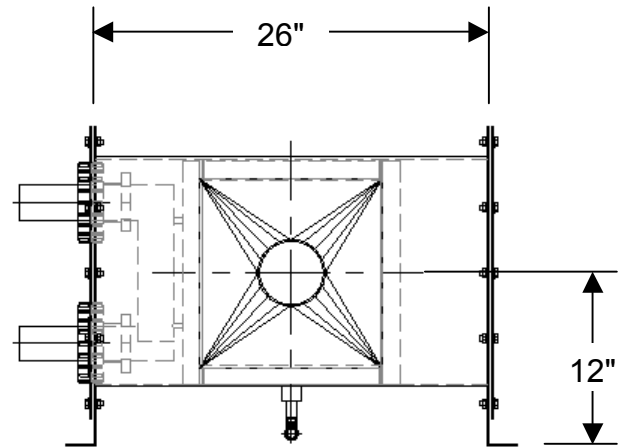
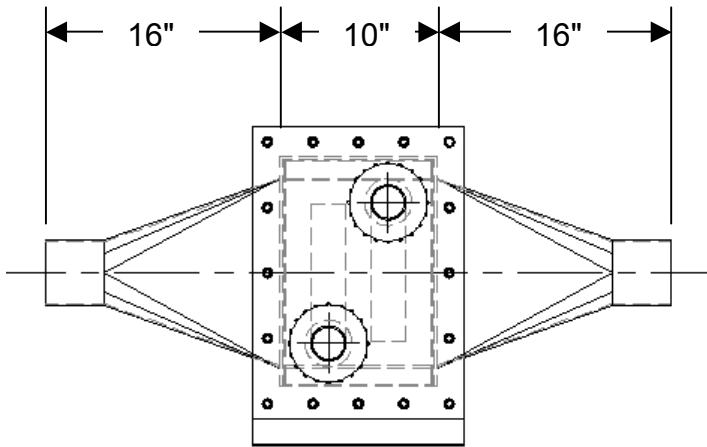
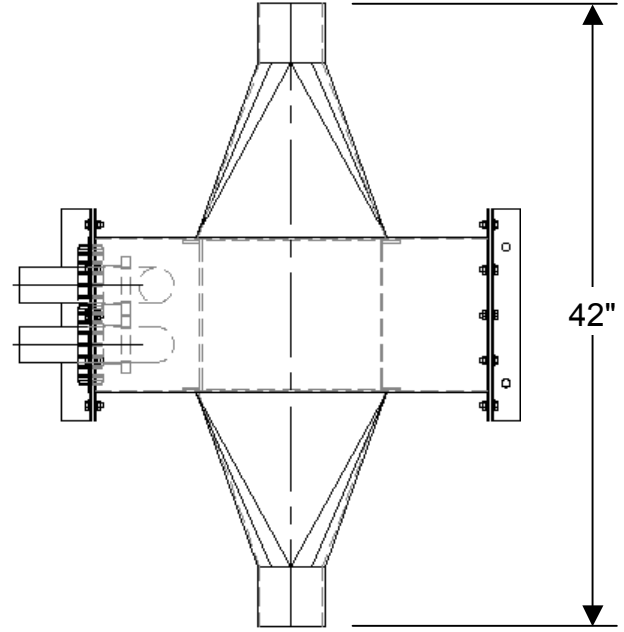


# Inline Air Coolers



Dimensions typical for units handling up to 800 CFM. Other sizes are available on request.  
Available in aluminum, carbon steel (painted), or stainless steel.  
All specifications are approximate and subject to change without notice.



Amtec Engineering, Inc.  
11760 Clay Road  
Houston, TX 77043  
[www.amtecengineering.com](http://www.amtecengineering.com)