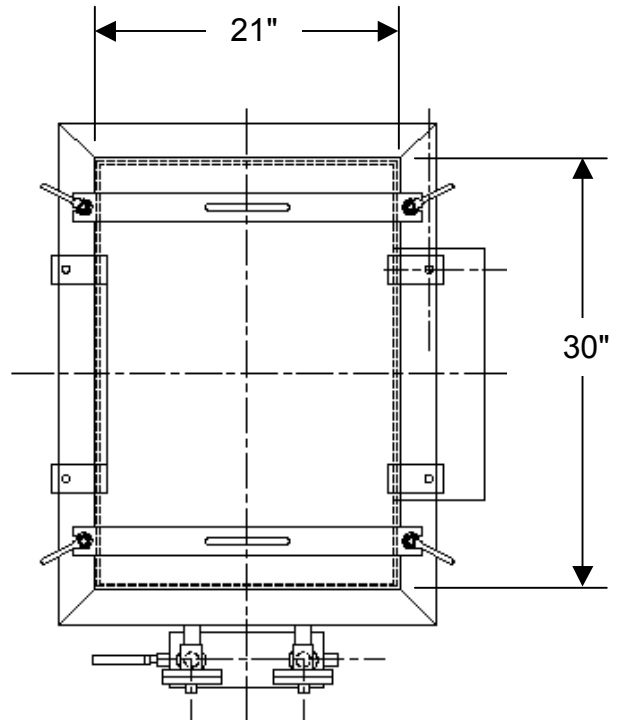
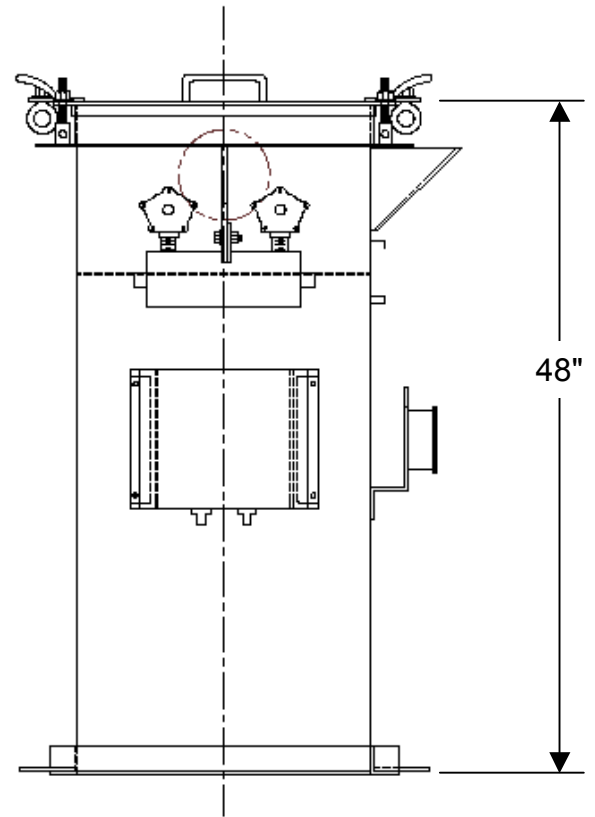


Silo Bin Vent Filters

Specifications are approximate and subject to change without notice.



General Information:
300 Square Feet Filter Area
Aluminum, carbon steel, or stainless steel construction



Amtec Engineering, Inc.
11760 Clay Road
Houston, TX 77043
www.amtecengineering.com