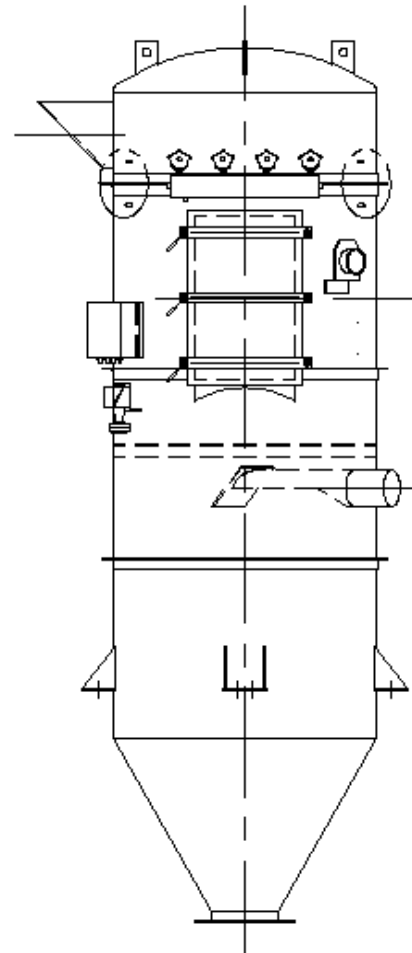
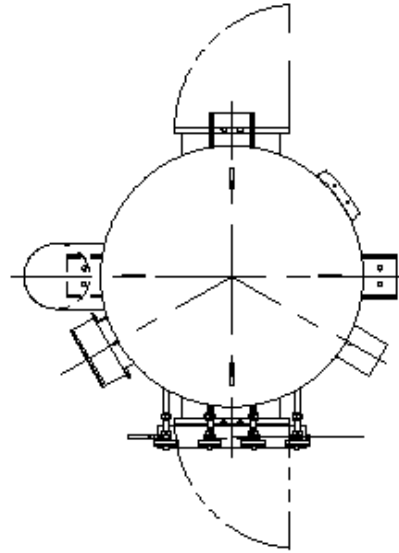


Vacuum Filter Receivers



General Information:
All Filter Receivers are designed per application. Aluminum, carbon steel, or stainless steel construction.



Amtec Engineering, Inc.
11760 Clay Road
Houston, TX 77043
www.amtecengineering.com