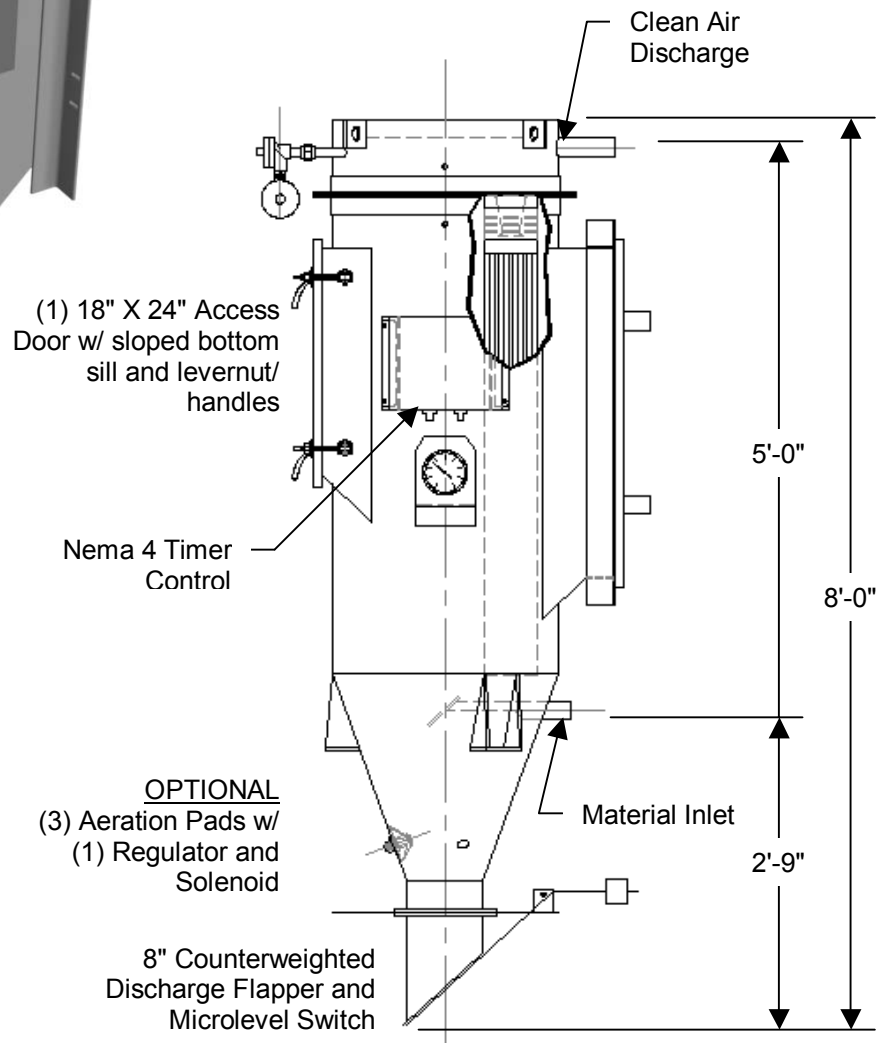
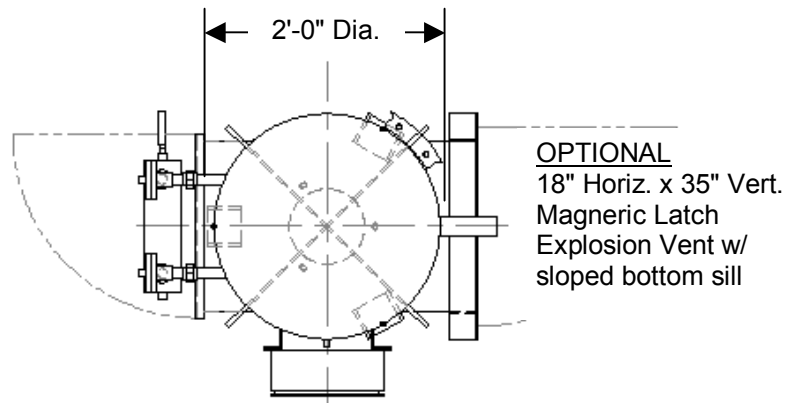
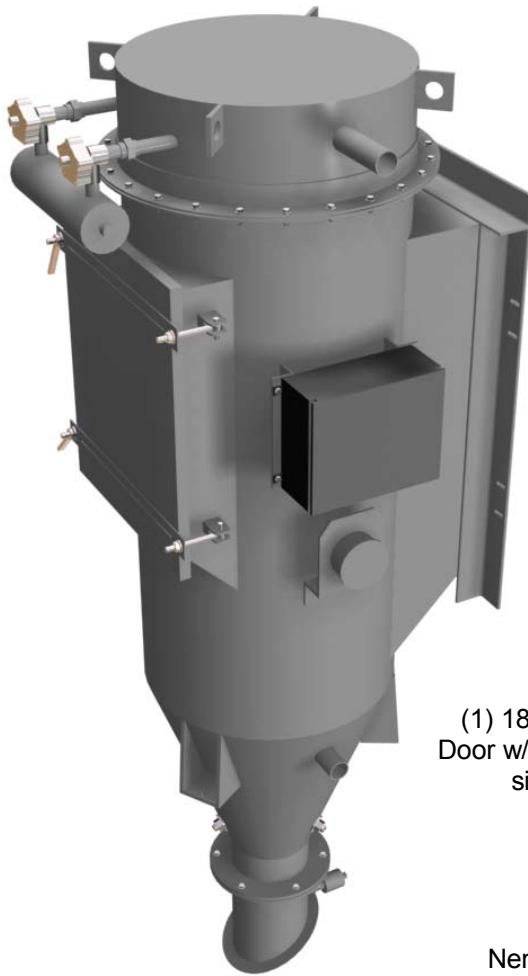


Vacuum Powder Filter Receiver



Available Materials of Construction:

- Painted Carbon Steel
- Product Contact Stainless Steel
- All Stainless Steel

Filter Media:

(4) 16 oz. Polypropylene seared filter bags, 5.8" dia. x



Amtec Engineering, Inc.
11760 Clay Road
Houston, TX 77043
www.amtecengineering.com